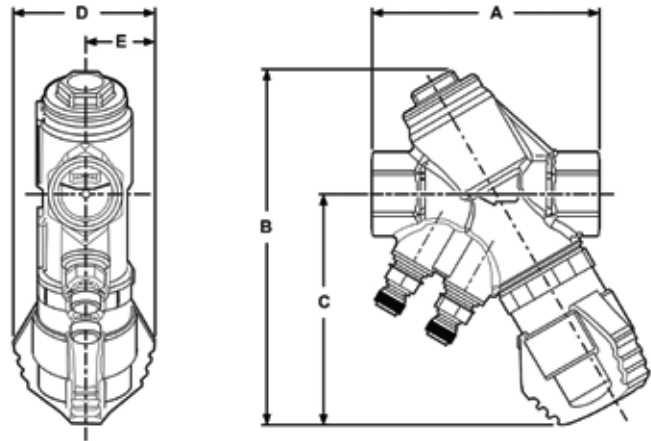




Built with your system in mind.

Bell & Gossett has been the leader in hydronic balancing for over 60 years and we have products and system solutions that make the engineer's job easier, save building owners money, and reduce contractor's time to install and commission the system.



Dimensions and Weights

Model Number	Size	Connection Type	DIMENSIONS* IN INCHES (mm)					Cv ⁺	Flow Capacity in GPM (L/hr)		Approx. Weight lbs. (kg)
			A	B	C	D	E		Min.	Max.	
CS-1/2	1/2"	NPT	3.8	5.8	3.8	2.4	1.2	2.78	0.18	4.84	2.0
		Female	(97)	(147)	(97)	(61)	(30)		(40)	(1,100)	
CS-3/4	3/4"	NPT	3.8	5.9	3.8	2.4	1.2	4.41	0.31	8.15	2.0
		Female	(97)	(150)	(97)	(61)	(30)		(70)	(1,850)	
CS-1	1"	NPT	4.1	6.1	4.1	2.4	1.2	5.11	0.44	10.35	2.2
		Female	(104)	(155)	(104)	(61)	(30)		(100)	(2,350)	
CS-1-1/4	1 1/4"	NPT	5.2	7.4	4.5	2.4	1.2	10.21	0.88	21.13	3.7
		Female	(132)	(188)	(114)	(61)	(30)		(200)	(4,800)	
CS-1-1/2	1 1/2"	NPT	5.7	8.1	4.7	2.4	1.2	16.24	1.76	32.76	5.3
		Female	(145)	(206)	(119)	(61)	(30)		(400)	(7,500)	
CS-2	2"	NPT	6.1	8.6	5.0	2.4	1.2	20.18	2.20	45.46	7.5
		Female	(155)	(218)	(127)	(61)	(30)		(500)	(10,300)	

*All dimensions +/- 0.125" (3.2 mm) tolerance. Dimensions are subject to change. Not to be used for construction purposes unless certified.

+Cv Values calculated using minimum ΔP and maximum flow capacity.

For Minimum Differential requirements please refer to the flow charts for the valve you have selected. Maximum differential pressure is 60 PSID.

Minimum temperature is -14°F (-10°C) to 250°F (121°C)

Maximum operating pressure is 300 PSI



ITT
8200 N. Austin Avenue
Morton Grove, Illinois 60053
Phone: (847) 966-3700
Fax: (847) 966-9052
www.bellgossett.com



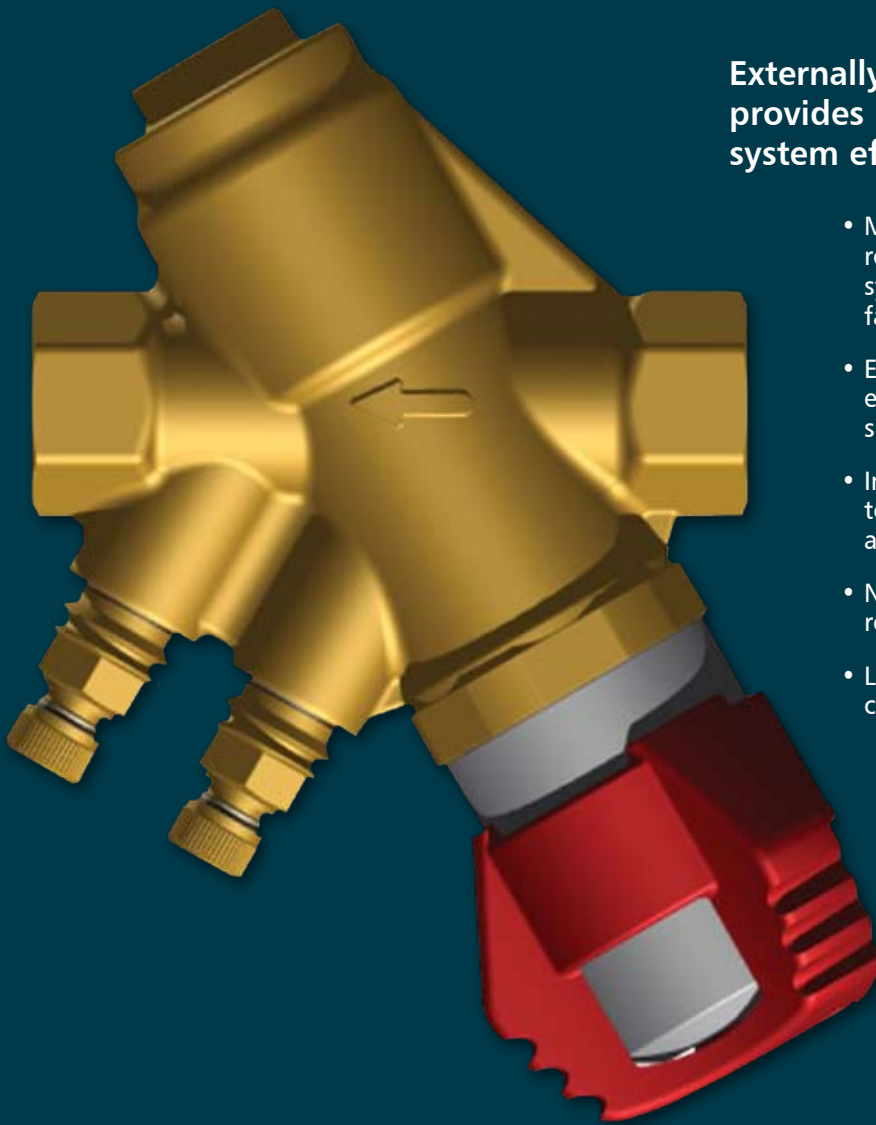
Engineered for life



ITT

NEW from the leader
in Hydronic Balancing.

Bell & Gossett® Circuit Setter® ULTRASET™



Externally adjustable flow limiter that provides hydronic balance for ultimate system efficiency

- Maintains the set flow rate within +/- 5% regardless of pressure fluctuations in the system as long as the ΔP across the valve falls within the allowable range
- External, lockable, handle allows for easy adjustment of flow should design specifications change
- Integrated pressure / temperature ports to easily measure differential pressure and temperature
- No minimum straight pipe lengths required before or after the valve
- Large open flow paths for clog-free operation

Engineered for life





The new Bell & Gossett Circuit Setter® ULTRASET™ dynamic balancing valve is simple to select and easy to use.

Why allocate more time and money than necessary balancing heating and cooling systems? Just set the flow and the ULTRASET™ valve ensures quick and reliable operation. Once set, no adjustments are required even if the pressure varies or the system is changed. Simply check that the pump pressure at the index valve is correct and the job is done. It is as simple as it gets.

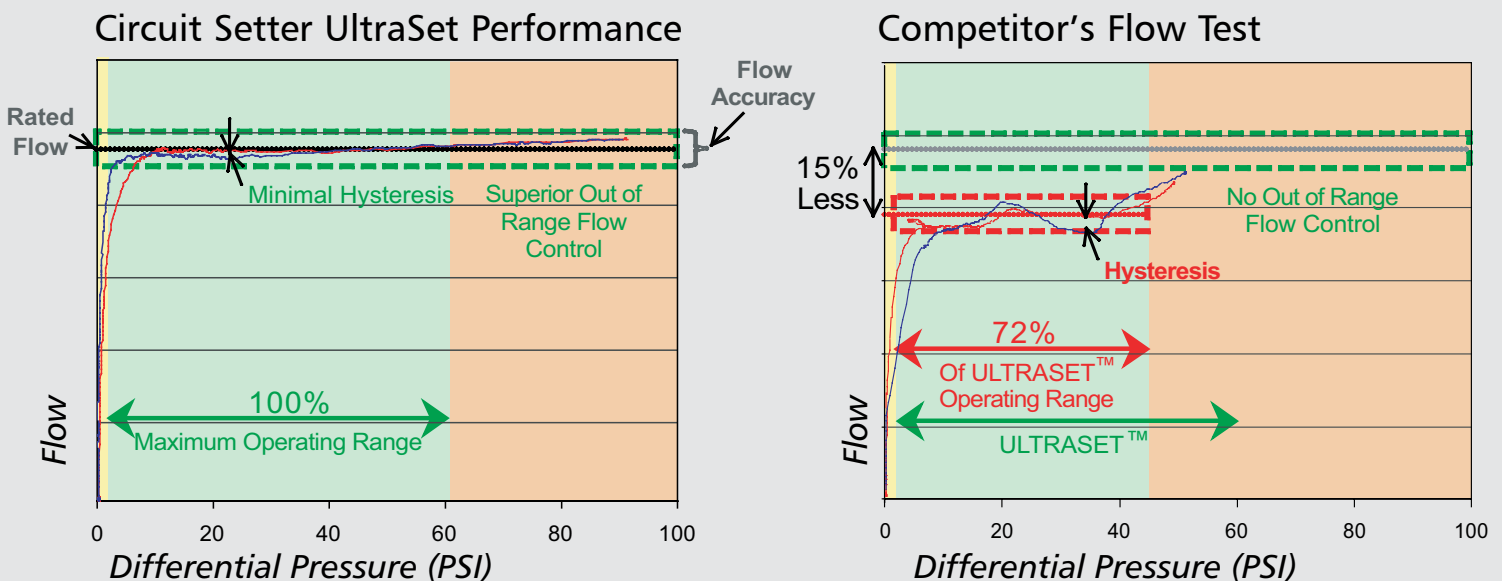
The ULTRASET™ valve is compact and requires less space for installation as reliable flow is maintained even when installed next to a pipe bend or fitting. The clear scale on the lockable handle ensures that flow setting is simple and user friendly while the integral P/T plugs allow verification of flow.

Benefits

- Quick and easy selection as only flow data is required
- Security that the specified flow will not be exceeded
- Easy to install and adjust according to pre-defined flow
- Flexibility if the system is modified after the initial installation
- Minimized commissioning time due to automatic balancing of the system
- High comfort to the end-users due to right balance of their hydraulic system
- Valves automatically find the hydraulic balance regardless of fluctuations in the system as long as the ΔP across the valve falls within the allowable range

Measuring up against the others.

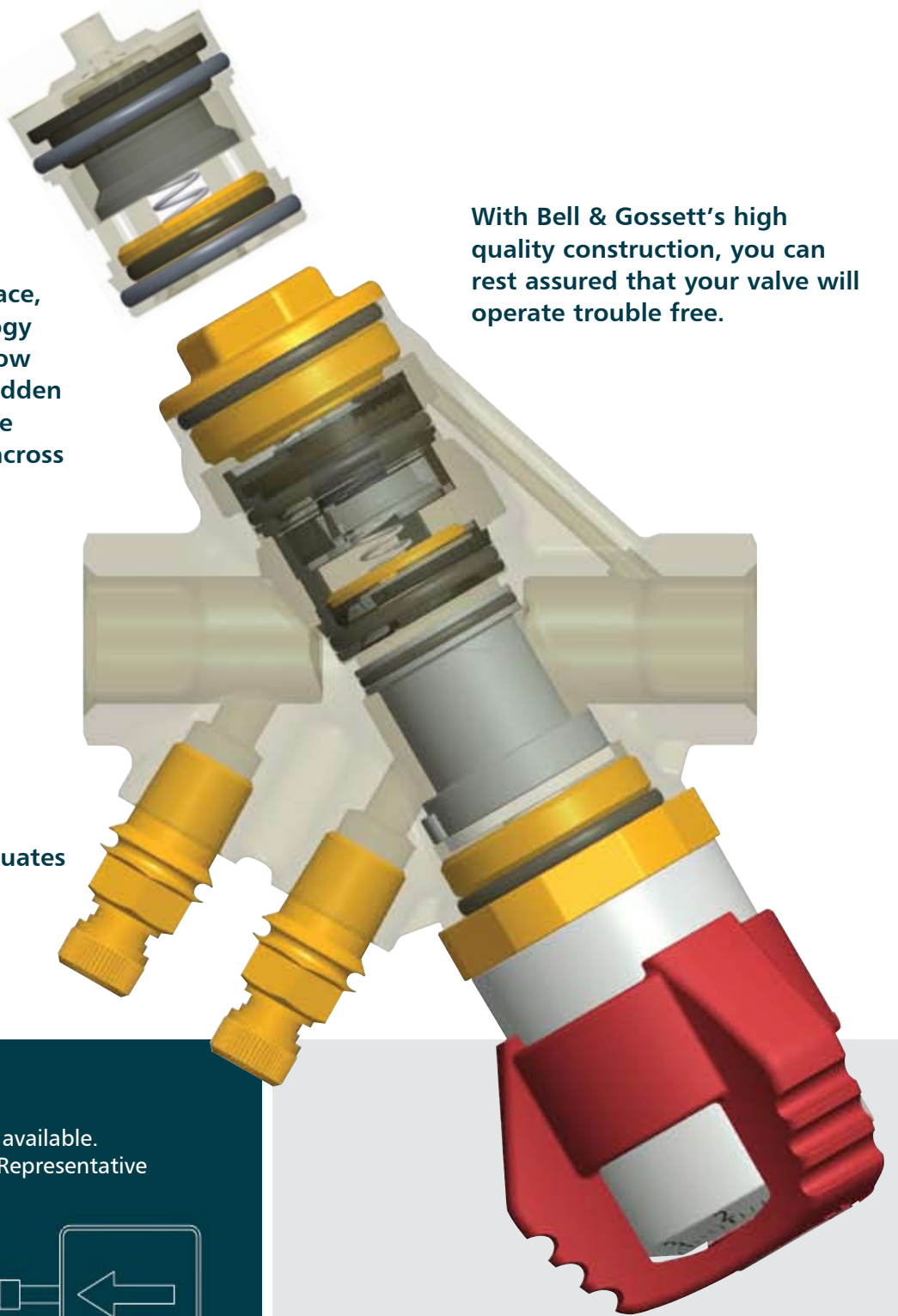
When Bell & Gossett is directly compared to others in lab tests, Ultraset's operation and stability of flow is far superior. Trust Bell & Gossett to deliver the results that are needed for ultimate system efficiency – the others just don't stack up.



Removable differential pressure cartridge solution simplifies flushing procedure.

Once the cartridge is in place, the revolutionary technology automatically keeps the flow stable regardless of the sudden pressure fluctuations in the system as long as the ΔP across the valve falls within the allowable range.

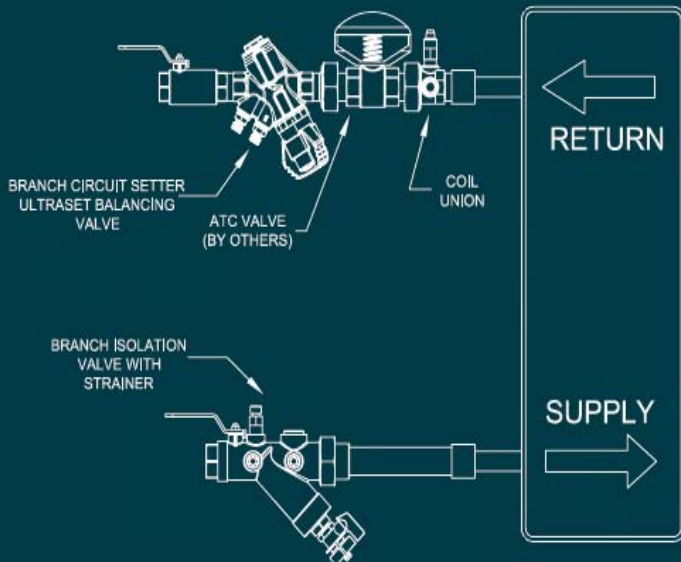
Built-in P/T ports for easy pressure reading which equates to easy commissioning.



With Bell & Gossett's high quality construction, you can rest assured that your valve will operate trouble free.

AM2Y coil kit

Complete coil kit solutions are available. Please contact your local B&G Representative for further information.



No minimum straight pipe lengths required before or after the valve.

Easy readout and adjustment of flow by lockable handle.

