



# Isolation Flanges

## NPT and Sweat Connections



*Combines a circulator flange and ball valve to allow the circulator to be isolated from the system for quick and easy removal*

*Free-floating flanges eliminate the need to align flanges making the pump installation a snap*

*Includes capscrews and nuts*

**Patent Pending**

*Brass and non-ferrous wetted internal components make the isolation flanges ideal for hydronic heating systems*

*Can be used with most circulators, including NRF/NBF/SSF wet rotors, Series PL's, 100, HV, PR & LR and other manufacturers' pumps*

*Available sizes:  
3/4", 1", 1-1/4" and 1-1/2" NPT  
and Sweat*

**Bell & Gossett**



**ITT Industries**  
*Engineered for life*



# Isolation Flanges



## Description

The isolation flange is a combination of an isolation ball valve and a companion flange for circulators. The isolation flange allows easy service or replacement of the circulator without the need to drain the system. The isolation flange fits the Bell & Gossett NRF/NBF/SSF wet rotors, Series PL, Series 100, HV, PR and LR circulators.

Available Sizes: 3/4", 1", 1-1/4" & 1-1/2" (refer to dimension and weight table for details)

## Operating Data

Maximum working pressure . . . . . 150 psi (10 bar)  
 Maximum operating temperature . . . . . 250°F (121°C)

## Materials of Construction

Valve Body . . . . . Brass  
 Flange . . . . . Zinc Plated Steel  
 Ball . . . . . Chrome Plated Brass  
 Packing . . . . . Teflon®\*  
 Seat Ring . . . . . Teflon  
 Stem . . . . . Brass

\*Teflon is a registered trademark of E.I. du Pont de Nemours and Company

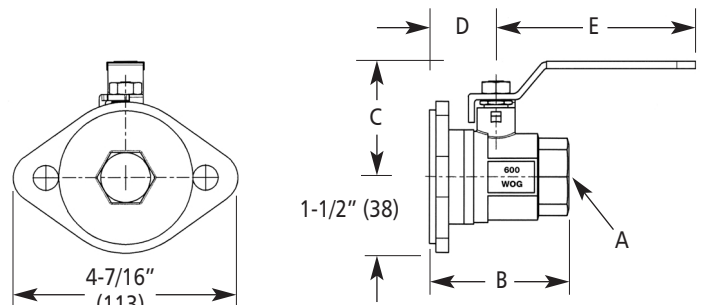
## Dimensions & Weights

Model No.	Size Inches	Use with Following Circulators	Dimensions – Inches (mm)					Approx. Shpg. Wt. lbs. (Kg)
			A	B	C	D	E	
101221	3/4" NPT x Flange	NRF/NBF/SSF wet rotors Series PL-30, PL-36, PL-55 Series 100, PR and LR	3/4" NPT	2-3/8" (60)	2-1/8" (54)	1-3/16" (30)	4" (102)	3.5 (1.6)
101222	1" NPT x Flange		1" NPT	2-3/4" (70)	2-5/16" (59)	1-5/16" (33)	4" (102)	4.5 (2.0)
101223	1-1/4" NPT x Flange		1-1/4" NPT	3-3/16" (81)	2-5/8" (67)	1-9/16" (40)	5" (127)	5.5 (2.5)
101241	1-1/2" NPT x Flange	PL-45, PL-50 and Series HV	1-1/2" NPT	3-1/4" (83)	2-5/8" (67)	1-9/16" (40)	5" (127)	6 (2.7)
101224	1" NPT x Flange		1" NPT	2-3/4" (70)	2-5/16" (59)	1-5/16" (33)	4" (102)	4.5 (2.0)
101225	1-1/4" NPT x Flange		1-1/4" NPT	3-3/16" (81)	2-5/8" (67)	1-9/16" (40)	5" (127)	5.5 (2.5)
101242	1-1/2" NPT x Flange	NRF/NBF/SSF wet rotors Series PL-30, PL-36, PL-55 Series 100, PR and LR	1-1/2" NPT	3-1/4" (83)	2-5/8" (67)	1-9/16" (40)	5" (127)	6 (2.7)
101226	3/4" SWT Flange		3/4" SWT	2-19/32" (66)	2-1/8" (54)	1-3/16" (30)	4" (102)	3.5 (1.6)
101227	1" SWT x Flange		1" SWT	3-11/64" (81)	2-5/16" (59)	1-5/16" (33)	4" (102)	4.5 (2.0)
101228	1-1/4" SWT x Flange	PL-45, PL-50 and Series HV	1-1/4" SWT	3-13/16" (97)	2-5/8" (67)	1-9/16" (40)	5" (127)	5.5 (2.5)
101243	1-1/2" SWT x Flange		1-1/2" SWT	3-15/16" (100)	2-5/8" (67)	1-9/16" (40)	5" (127)	6 (2.7)
101229	1" SWT x Flange		1" SWT	3-11/64" (81)	2-5/16" (59)	1-5/16" (33)	4" (102)	4.5 (2.0)
101230	1-1/4" SWT x Flange	PL-45, PL-50 and Series HV	1-1/4" SWT	3-13/16" (97)	2-5/8" (67)	1-9/16" (40)	5" (127)	5.5 (2.5)
101244	1-1/2" SWT x Flange		1-1/2" SWT	3-15/16" (100)	2-5/8" (67)	1-9/16" (40)	5" (127)	6 (2.7)

Dimensions and weights are approximate and subject to change. Contact factory for certified dimensions. \* Isolation valves are sold in pairs. The part numbers and the shipping weights are for two (2) isolation flanges, capscrews and nuts. Isolation flanges are not sold individually.

## Typical Specifications

Furnish and install as shown on plans \_\_\_\_\_ " NPT/Sweat x flange isolation flanges on each side of the circulator(s). When closed, the isolation flanges isolate the circulator from the rest of the system so the system does not need to be drained when removing the circulator. The isolation valve shall be constructed with a brass body, chrome plate brass ball, zinc plated flange and handle, and teflon packing and seat ring. The mating flange shall be free floating allowing it to rotate eliminating the need to align the bolt holes of the flanges when installing to the system piping. The isolation flange shall be ITT Bell & Gossett or equal.



Patent Pending



## Bell & Gossett

USA  
 Bell & Gossett  
 8200 N. Austin Avenue  
 Morton Grove, IL 60053  
 Phone: 847/966-3700  
 FAX: 847/966-9052  
 www.bellgossett.com



INTL.  
 Bell & Gossett / Export Dept.  
 8200 N. Austin Avenue  
 Morton Grove, IL 60053  
 Phone: 847/966-3700  
 FAX: 847/966-8366  
 www.bellgossett.com

CANADA  
 Fluid Products Canada  
 55 Royal Road  
 Guelph, Ontario,  
 N1H 1T1, Canada  
 Phone: 519/821-1900  
 www.ittfpc.ca