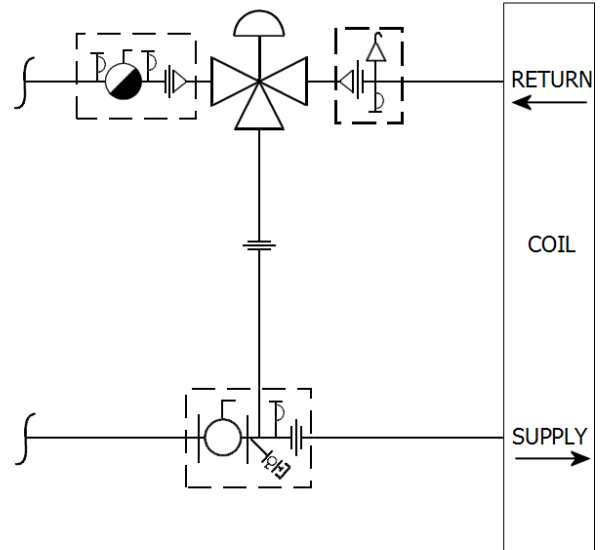
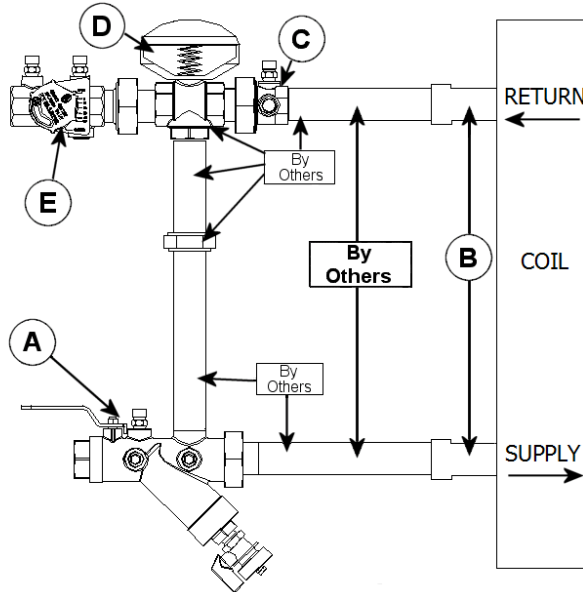


<b>JOB:</b>   <b>UNIT TAG:</b> <b>ENGINEER:</b> <b>CONTRACTOR:</b>	<b>REPRESENTATIVE:</b>   <b>ORDER NO.</b> <b>SUBMITTED BY:</b> <b>APPROVED BY:</b>	<b>DATE:</b> <b>DATE:</b> <b>DATE:</b>
---	---	--

## Circuit Setter Plus® MC3Y Valve Kit



### DESCRIPTION

The Bell & Gossett MC3Y Valve Kit is a packaged and partially pre-assembled collection of common components required for commissioning a terminal unit. Temperature control valves, piping and coils are not supplied by B&G.

The MC3Y Kit consists of:

Balloon	Part Number	Inlet Connection	Outlet Connection	Description
A				<b>Model UBY</b> - Combination Wye Strainer and Shut Off Valve with one Pressure / Temperature Port, Drain Valve, Tailpiece and Union End.
B				Connection Size for Coil/Terminal
C				<b>Model UA</b> - Union Accessory with one Pressure / Temperature Port, Manual Air Vent, Tailpiece and Union End.
D				Connection Size for Two-Way Temperature Control Valve (by others)
E				<b>Model MC</b> - Circuit Setter Plus® - Calibrated Balance, Commissioning and Shut Off Valve with two Pressure / Temperature Ports, Tailpiece and Union End.



## Bell & Gossett

Bell & Gossett  
 8200 N. Austin Avenue, Morton Grove, IL 60053  
 Phone (847)966-3700  
 Facsimile (847)966-9052  
 www.bellgossett.com

