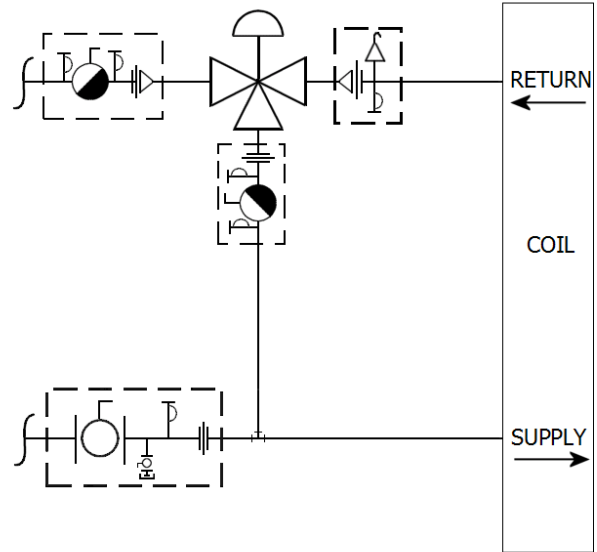
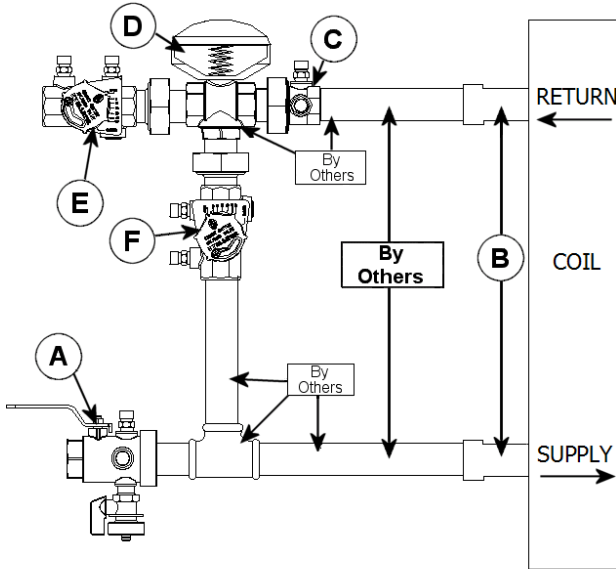


JOB:	REPRESENTATIVE:	
UNIT TAG:	ORDER NO.	DATE:
ENGINEER:	SUBMITTED BY:	DATE:
CONTRACTOR:	APPROVED BY:	DATE:

Circuit Setter Plus® MC3BMC Valve Kit



DESCRIPTION

The Bell & Gossett MC3BMC Valve Kit is a packaged and partially pre-assembled collection of common components required for commissioning a terminal unit. Temperature control valves, piping and coils are not supplied by B&G.

The MC3BMC Kit consists of:

Balloon	Part Number	Inlet Connection	Outlet Connection	Description
A				Model UBV - Combination Shut Off Valve and Union End with one Pressure / Temperature Port, Drain Valve, and Tailpiece
B				Connection Size for Coil/Terminal
C				Model UA - Union Accessory with one Pressure / Temperature Port, Manual Air Vent, Tailpiece and Union End.
D				Connection Size for Two-Way Temperature Control Valve (by others)
E				Model MC - Circuit Setter Plus® - Calibrated Balance, Commissioning and Shut Off Valve with two Pressure / Temperature Ports, Tailpiece and Union End.
F				Model MC - Circuit Setter Plus® - Calibrated Balance, Commissioning and Shut Off Valve with two Pressure / Temperature Ports, Tailpiece and Union End.



Bell & Gossett

Bell & Gossett
 8200 N. Austin Avenue, Morton Grove, IL 60053
 Phone (847)966-3700
 Facsimile (847)966-9052
 www.bellgossett.com

