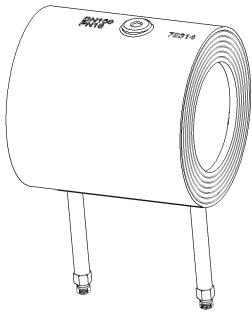


<b>JOB:</b>	<b>REPRESENTATIVE:</b>	
<b>UNIT TAG:</b>	<b>ORDER NO.</b>	<b>DATE:</b>
<b>ENGINEER:</b>	<b>SUBMITTED BY:</b>	<b>DATE:</b>
<b>CONTRACTOR:</b>	<b>APPROVED BY:</b>	<b>DATE:</b>



## Circuit Sentry™ Model WV - Wafer Valves

### DESCRIPTION

The Bell & Gossett Model WV is a combination automatic flow limiting and commissioning valve for use in HVAC systems. Wafer valves are furnished with flow cartridges, two 4" pressure / temperature ports and a ID tag for commissioning. A lifting lug is provided on valve sizes 4" through 20". The wafer valve body is compatible with Ansi Class 125, 150 lb. and 250# flanges. Companion flanges, mounting hardware and gaskets are not included.

### CONSTRUCTION

Body: Ductile Iron DIN 1693-GGG-40  
 Cartridge: 304 Stainless Steel  
 O-Rings: EPDM  
 Diaphragm: Reinforced EPDM  
 Spring: Stainless Steel

### MAXIMUM WORKING PRESSURE

250 psig (1,724 kPa)

### TEMPERATURE RANGE

-4°F (-20°C) to 230°F (111°C)

### CONTROL RANGE

2-60 PSI(D)  
 Flanges up to 250#

### ACCURACY

+/- 5%

### MINIMUM FLOW\*\*

15 GPM (0.95 lps)

### MAXIMUM FLOW\*\*

7,200 GPM (454.2 lps)

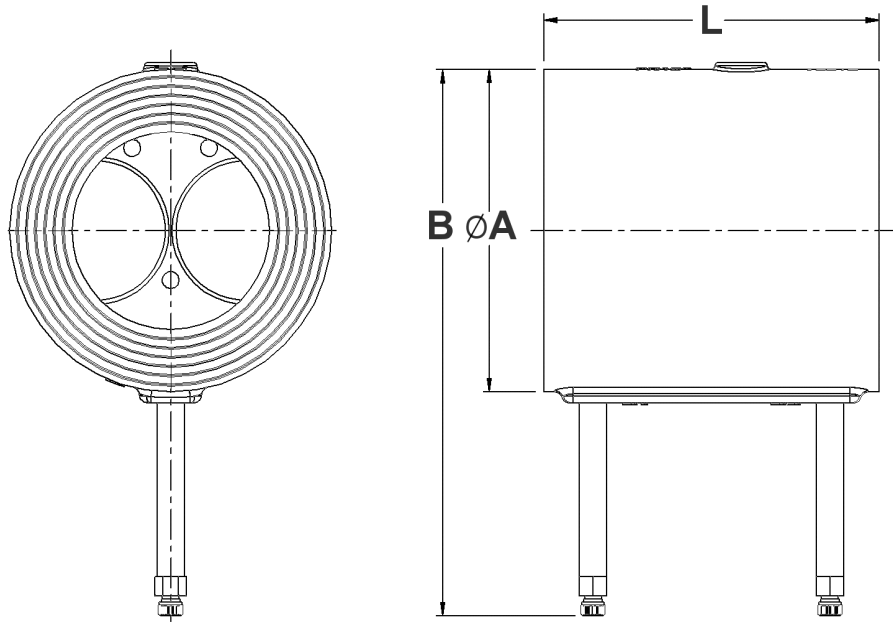
### FLOW INCREMENTS

5 GPM (0.32 lps)

\*\*B&G recommends following ASHRAE's design criteria for hydronic system piping, flow rates, and friction losses.

### SCHEDULE

SIZE	TAGGING INFORMATION	QUANTITY
2½" Wafer		
3" Wafer		
4" Wafer		
5" Wafer		
6" Wafer		
8" Wafer		
10" Wafer		
12" Wafer		
14" Wafer		
16" Wafer		
18" Wafer		
20" Wafer		



SIZE Inch(mm)	DIMENSIONS* INCH (mm)			Maximum Flow** GPM (lps)	Maximum Cartridges per Valve	Approx. Shpg. Wt. w/Max. Cartridges Lbs. (kg)
	A	B	L			
2½" (63.5)	4.7 (119)	9.3 (237)	6.7 (170)	180 (11.4)	1	12 (5.4)
3" (76.2)	5.2 (131)	9.8 (249)	6.7 (170)	180 (11.4)	1	14 (6.4)
4" (101.6)	6.4 (163)	11.1 (281)	6.7 (170)	360 (22.7)	2	22 (10)
5" (127)	7.6 (193)	12.2 (311)	6.7 (170)	540 (34.1)	3	28 (12.7)
6" (152.4)	8.5 (216)	13.1 (334)	6.7 (170)	720 (45.4)	4	31 (14.1)
8" (203.2)	10.7 (271)	15.3 (389)	6.7 (170)	1,260 (79.5)	7	51 (23.1)
10" (254)	12.8 (326)	17.3 (440)	6.7 (170)	2,160 (136.3)	12	69 (31.3)
12" (304.8)	15.1 (383)	19.7 (501)	6.7 (170)	2,700 (170.3)	15	95 (43.1)
14" (355.6)	17.4 (443)	22.1 (561)	6.7 (170)	3,420 (215.8)	19	123 (55.8)
16" (406.4)	19.5 (496)	24.6 (624)	6.7 (170)	4,680 (295.3)	26	166 (75.3)
18" (457.2)	21.5 (545)	26.5 (673)	6.7 (170)	5,940 (374.8)	33	193 (87.5)
20" (508)	23.9 (607)	28.7 (729)	6.7 (170)	7,200 (454.2)	40	228 (103.4)

\*All dimensions +/- 0.125 (3.2 mm) tolerance. Dimensions are subject to change. Not to be used for construction purposes unless certified.

\*\*B&G recommends following ASHRAE's design criteria for hydronic system piping, flow rates, and friction losses.