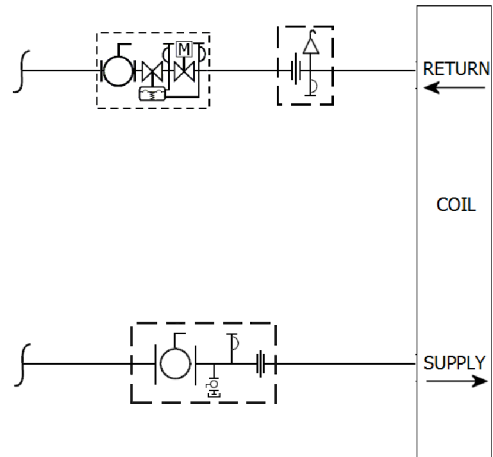
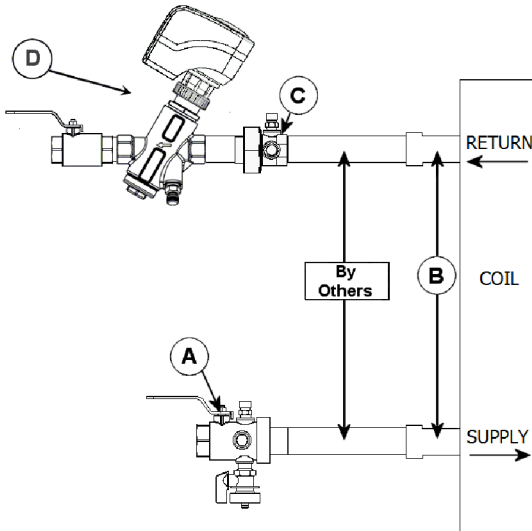


JOB:	REPRESENTATIVE:
UNIT TAG:	ORDER NO.
ENGINEER:	SUBMITTED BY:
CONTRACTOR:	APPROVED BY:
	DATE:
	DATE:
	DATE:

OPTIFLO™ AA2B VALVE KIT



DESCRIPTION

The Bell & Gossett AA2B Valve Kit is a packaged and partially pre-assembled collection of common components required for commissioning a terminal unit. Piping and coils are not supplied by B&G.

The AA2B Kit consists of:

Balloon	Part Number	Inlet Connection	Outlet Connection	Description
A				Model UBV - Combination Shut Off Valve and Union End with one Pressure / Temperature Port, Drain Valve and Tailpiece.
B				Connection Size for Coil/Terminal
C				Model UA - Union Accessory with one Pressure / Temperature Port, Manual Air Vent, Tailpiece and Union End.
D				Model AA - OPTIFLO™ - Pressure Independent Electrically Actuated Temperature Control Valve with Supplied Ball Isolation/Shut Off Valve, two Pressure/Temperature Ports, Fixed Female and NPT Threaded Body.