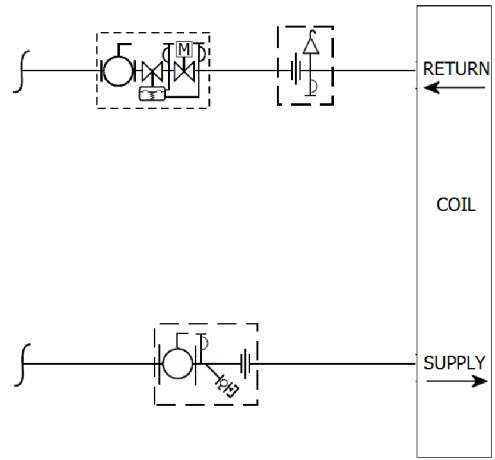
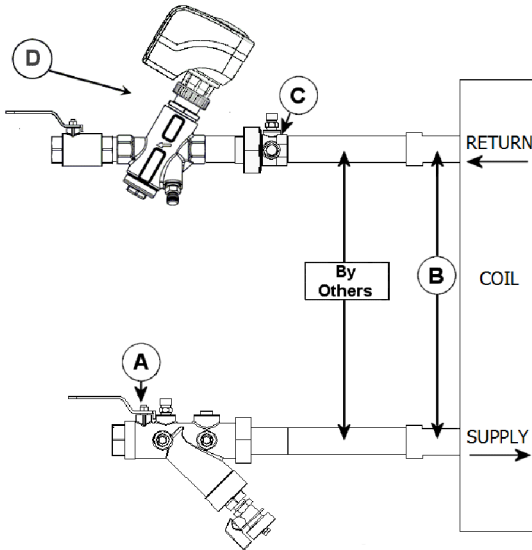


JOB:	REPRESENTATIVE:	
UNIT TAG:	ORDER NO.	DATE:
ENGINEER:	SUBMITTED BY:	DATE:
CONTRACTOR:	APPROVED BY:	DATE:

OPTIFLO™ AA2Y VALVE KIT



DESCRIPTION

The Bell & Gossett AA2Y Valve Kit is a packaged and partially pre-assembled collection of common components required for commissioning a terminal unit. Piping and coils are not supplied by B&G.

The AA2Y Kit consists of:

Balloon	Part Number	Inlet Connection	Outlet Connection	Description
A				Model UBY - Combination Wye Strainer and Shut Off Valve with one Pressure / Temperature Port, Drain Valve, Tailpiece and Union End.
B				Connection Size for Coil/Terminal
C				Model UA - Union Accessory with one Pressure / Temperature Port, Manual Air Vent, Tailpiece and Union End.
D				Model AA - OPTIFLO™ - Pressure Independent Electrically Actuated Temperature Control Valve with Supplied Ball Isolation/Shut Off Valve, two Pressure/Temperature Ports, Fixed Female and NPT Threaded Body.