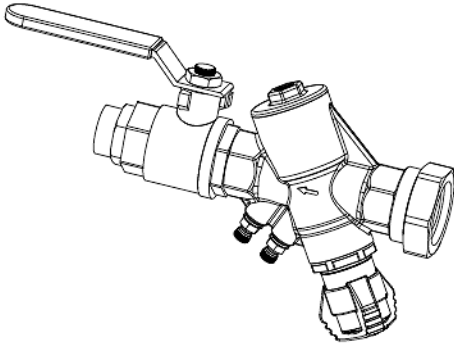


<b>JOB:</b>	<b>REPRESENTATIVE:</b>	
<b>UNIT TAG:</b>	<b>ORDER NO.</b>	<b>DATE:</b>
<b>ENGINEER:</b>	<b>SUBMITTED BY:</b>	<b>DATE:</b>
<b>CONTRACTOR:</b>	<b>APPROVED BY:</b>	<b>DATE:</b>



# Circuit Setter® ULTRASET™

## Externally Adjustable Automatic Balance And Commissioning Valve

### Model AM

**DESCRIPTION**

The Bell & Gossett Circuit Setter® ULTRASET™ Model AM is an externally adjustable balance and commissioning valve with supplied ball isolation/shut off valve for use in HVAC systems. Valves are furnished with external locking adjustment handle, two pressure/temperature ports, and a hanging ID tag for commissioning. A variety of end connections are available on both the fixed and union ends.

**CONSTRUCTION**

Valve:  
 Body: Brass EN CW613N  
 DP Controller: PPS 40% Glass  
 Flow Setting: PPO  
 Spring: Stainless Steel  
 Diaphragm: HNBR  
 O-Rings: EPDM

Ball Valve:  
 Body/Stem: Brass EN CW602N  
 Ball: Brass C37000  
 O-Ring: EPDM  
 Seat: Teflon

**MAXIMUM WORKING PRESSURE**

290 psig (2,000 kPa)

**TEMPERATURE RANGE**

14°F (-10°C) to 230°F (110°C)

**CONTROL RANGE**

Min: \* See Below  
 Max: 60 psi (414 kPa)

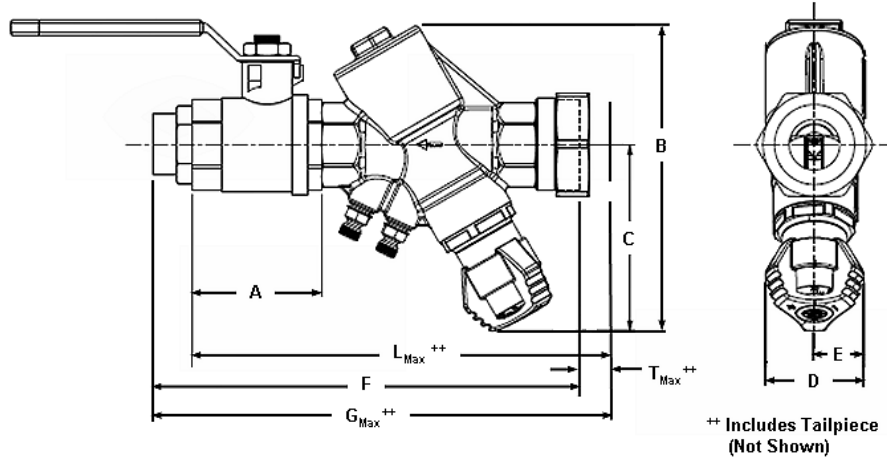
**ACCURACY**

+/- 5%

**SCHEDULE**

VALVE SIZE FIXED END	TAGGING INFORMATION	QUANTITY
1/2" Sweat Female		
1/2" NPT Female		
3/4" Sweat Female		
3/4" NPT Female		
1" Sweat Female		
1" NPT Female		
1-1/4" Sweat Female		
1-1/4" NPT Female		
1-1/2" Sweat Female		
1-1/2" NPT Female		
2" Sweat Female		
2" NPT Female		

\* Min ΔP varies depending on valve size and flow rate. See curve booklet G10092 for exact min. ΔP.



**DIMENSIONS AND WEIGHTS**

Valve Size Fixed End	Connection Fixed End	DIMENSIONS* IN INCHES (mm)									Cv <sup>+</sup>	Flow Capacity in GPM (L/hr)**		Approx. Weight Lbs. (kg)	
		A	B	C	D	E	F	L <sub>Max</sub>	G <sub>Max</sub>	T <sub>Max</sub>		Min.	Max.		
1/2"	Sweat	1.7	5.8	3.8	2.4	1.2	6.7	7.6	8.2	1.55	2.78	0.18	4.84	2.5	
	Female	(42)	(147)	(97)	(61)	(30)	(169)	(193)	(208)	(39)		(40)	(1,100)		(1.1)
	NPT	1.7	5.8	3.8	2.4	1.2	-	7.6	-	1.55		0.18	4.84		2.5
	Female	(42)	(147)	(97)	(61)	(30)	(-)	(193)	(-)	(39)		(40)	(1,100)		(1.1)
3/4"	Sweat	2.1	5.9	3.8	2.4	1.2	7.5	8.1	9.1	1.55	4.41	0.31	8.15	2.7	
	Female	(53)	(150)	(97)	(61)	(30)	(191)	(205)	(231)	(39)		(70)	(1,850)		(1.2)
	NPT	2.1	5.9	3.8	2.4	1.2	-	8.1	-	1.55		0.31	8.15		2.7
	Female	(53)	(150)	(97)	(61)	(30)	(-)	(205)	(-)	(39)		(70)	(1,850)		(1.2)
1"	Sweat	2.5	6.1	4.1	2.4	1.2	8.3	9.1	10.3	2.00	5.11	0.44	10.35	3.3	
	Female	(63)	(155)	(104)	(61)	(30)	(211)	(232)	(262)	(51)		(100)	(2,350)		(1.5)
	NPT	2.5	6.1	4.1	2.4	1.2	-	9.1	-	2.00		0.44	10.35		3.3
	Female	(63)	(155)	(104)	(61)	(30)	(-)	(232)	(-)	(51)		(100)	(2,350)		(1.5)
1-1/4"	Sweat	3.1	7.4	4.5	2.4	1.2	10.2	11.0	12.2	2.00	10.21	0.88	21.13	5.7	
	Female	(79)	(188)	(114)	(61)	(30)	(259)	(279)	(262)	(51)		(200)	(4,800)		(2.6)
	NPT	3.1	7.4	4.5	2.4	1.2	-	11.0	-	2.00		0.88	21.13		5.7
	Female	(79)	(188)	(114)	(61)	(30)	(-)	(279)	(-)	(51)		(200)	(4,800)		(2.6)
1-1/2"	Sweat	3.4	8.1	4.7	2.4	1.2	11.7	12.9	14.3	2.52	16.24	1.76	32.76	7.9	
	Female	(87)	(206)	(119)	(61)	(30)	(298)	(328)	(362)	(64)		(400)	(7,500)		(3.6)
	NPT	3.4	8.1	4.7	2.4	1.2	-	12.9	-	2.52		1.76	32.76		7.9
	Female	(87)	(206)	(119)	(61)	(30)	(-)	(328)	(-)	(64)		(400)	(7,500)		(3.6)
2"	Sweat	4.4	8.6	5.0	2.4	1.2	13.7	15.1	16.8	3.14	20.18	2.20	45.46	11.9	
	Female	(112)	(218)	(127)	(61)	(30)	(347)	(384)	(427)	(80)		(500)	(10,300)		(5.4)
	NPT	4.4	8.6	5.0	2.4	1.2	-	15.1	-	3.14		2.20	45.46		11.9
	Female	(112)	(218)	(127)	(61)	(30)	(-)	(384)	(-)	(80)		(500)	(10,300)		(5.4)

\*All dimensions +/- 0.125 (3.2 mm) tolerance. Dimensions are subject to change. Not to be used for construction purposes unless certified.  
 \*\*Flow Capacity is with supplied ball valve 100% open. Ball valve is not intended to be used to limit flow, but rather as an isolation valve only.  
 +Cv Values are calculated using minimum ΔP and maximum flow capacity.

