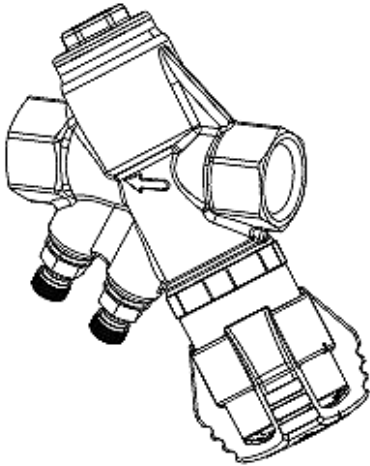


<b>JOB:</b>	<b>REPRESENTATIVE:</b>	
<b>UNIT TAG:</b>	<b>ORDER NO.</b>	<b>DATE:</b>
<b>ENGINEER:</b>	<b>SUBMITTED BY:</b>	<b>DATE:</b>
<b>CONTRACTOR:</b>	<b>APPROVED BY:</b>	<b>DATE:</b>



# Circuit Setter® ULTRASET™

## Externally Adjustable Automatic Balance And Commissioning Valve

**DESCRIPTION**

The Bell & Gossett CIRCUIT SETTER® ULTRASET™ is an externally adjustable balance and commissioning valve for use in HVAC systems. It features a removable differential pressure cartridge and an external locking handle that allows flow rate to be changed independently of differential pressure without the need to shut down your system. This allows for greater system flexibility and control and minimizes required commissioning time. Valves are equipped with two capped 1/4" readout valves and feature Threaded NPT end connections.

**CONSTRUCTION**

Body: Brass EN CW613N  
 DP Controller: PPS 40% Glass  
 Flow Setting: PPO  
 Spring: Stainless Steel  
 Diaphragm: HNBR  
 O-Rings: EPDM

**MAXIMUM WORKING PRESSURE**

300 psig (2,068 kPa)

**TEMPERATURE RANGE**

14°F (-10°C) to 250°F (121°C)

**CONTROL RANGE**

Min: \* See Below  
 Max: 60 psi (414 kPa)

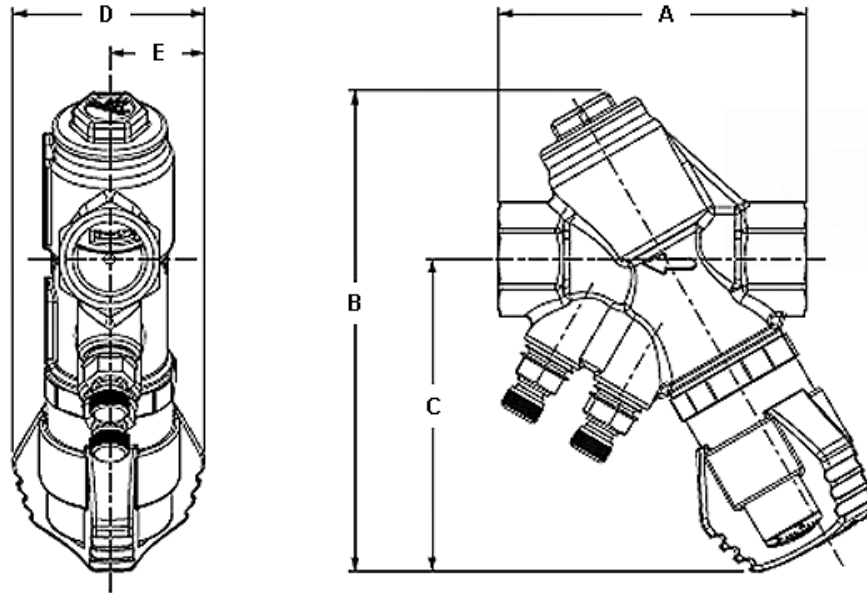
**ACCURACY**

+/- 5%

**SCHEDULE**

MODEL NUMBER	PART NUMBER	TAGGING INFORMATION	QUANTITY
CS-1/2	117464		
CS-3/4	117465		
CS-1	117466		
CS-1-1/4	117467		
CS-1-1/2	117468		
CS-2	117469		

\* Min ΔP varies depending on valve size and flow rate. See curve booklet G10092 for exact min. ΔP.



**DIMENSIONS AND WEIGHTS**

Model Number	Size	Connection Type	DIMENSIONS* IN INCHES (mm)					Cv <sup>†</sup>	Flow Capacity in GPM (L/hr)		Approx. Weight Lbs. (kg)
			A	B	C	D	E		Min.	Max.	
CS-1/2	1/2"	NPT Female	3.8 (97)	5.8 (147)	3.8 (97)	2.4 (61)	1.2 (30)	2.78	0.18 (40)	4.84 (1,100)	2.0 (0.9)
CS-3/4	3/4"	NPT Female	3.8 (97)	5.9 (150)	3.8 (97)	2.4 (61)	1.2 (30)	4.41	0.31 (70)	8.15 (1,850)	2.0 (0.9)
CS-1	1"	NPT Female	4.1 (104)	6.1 (155)	4.1 (104)	2.4 (61)	1.2 (30)	5.11	0.44 (100)	10.35 (2,350)	2.2 (1.0)
CS-1-1/4	1-1/4"	NPT Female	5.2 (132)	7.4 (188)	4.5 (114)	2.4 (61)	1.2 (30)	10.21	0.88 (200)	21.13 (4,800)	3.7 (1.7)
CS-1-1/2	1-1/2"	NPT Female	5.7 (145)	8.1 (206)	4.7 (119)	2.4 (61)	1.2 (30)	16.24	1.76 (400)	32.76 (7,500)	5.3 (2.4)
CS-2	2"	NPT Female	6.1 (155)	8.6 (218)	5.0 (127)	2.4 (61)	1.2 (30)	20.18	2.20 (500)	45.46 (10,300)	7.5 (3.4)

\*All dimensions +/- 0.125 (3.2 mm) tolerance. Dimensions are subject to change. Not to be used for construction purposes unless certified.

†Cv Values are calculated using minimum ΔP and maximum flow capacity.