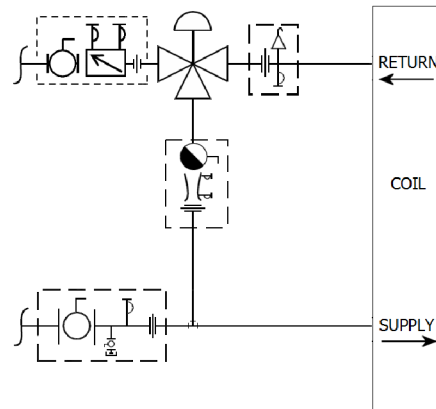
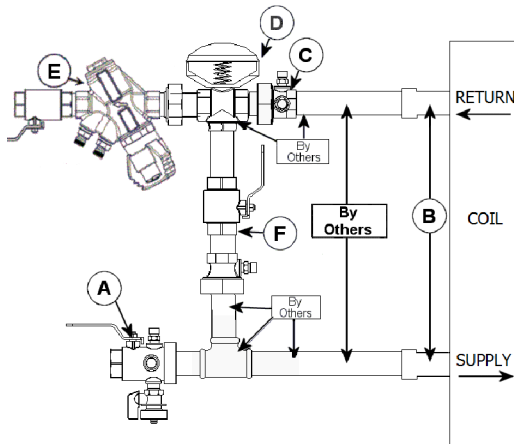


JOB:	REPRESENTATIVE:	
UNIT TAG:	ORDER NO.:	DATE:
ENGINEER:	SUBMITTED BY:	DATE:
CONTRACTOR:	APPROVED BY:	DATE:

Circuit Setter® ULTRASET™ AM3BMV Valve Kit



DESCRIPTION

The Bell & Gossett AM3BMV Valve Kit is a packaged and partially pre-assembled collection of common components required for commissioning a terminal unit. Temperature control valves, piping and coils are not supplied by B&G.

The AM3BMV Kit consists of:

Balloon	Part Number	Inlet Connection	Outlet Connection	Description
A				Model UBV - Combination Shut Off Valve and Union End with one Pressure / Temperature Port, Drain Valve and Tailpiece.
B				Connection Size for Coil/Terminal
C				Model UA - Union Accessory with one Pressure / Temperature Port, Manual Air Vent, Tailpiece and Union End.
D				Connection Size for Two-Way Temperature Control Valve (by others)
E				Model AM - Circuit Setter® ULTRASET™ - Externally Adjustable Balance and Commissioning Valve with Supplied Ball Isolation/Shut Off Valve, two Pressure/Temperature Ports, Tailpiece, and Union End.
F				Model MV - Venturi/Ball Valve Combination - Calibrated Balance, Commissioning and Positive Shut Off Valve with two Pressure/Temperature Ports, Standard Port Ball Valve, Tailpiece and Union End.