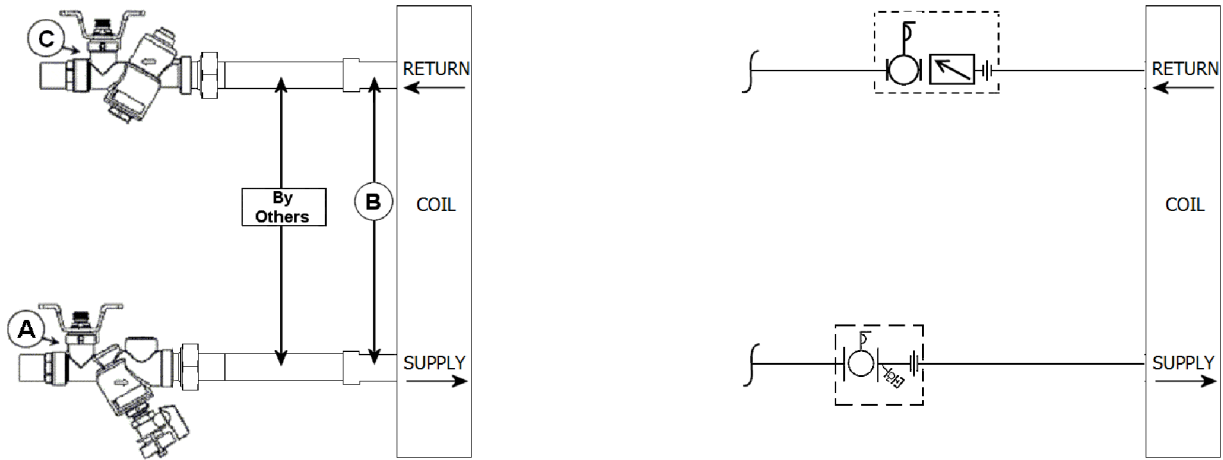


<b>JOB:</b>   <b>UNIT TAG:</b> <b>ENGINEER:</b> <b>CONTRACTOR:</b>	<b>REPRESENTATIVE:</b>   <b>ORDER NO.</b> <b>SUBMITTED BY:</b> <b>APPROVED BY:</b>	<b>DATE:</b> <b>DATE:</b> <b>DATE:</b>
---	---	--

## Circuit Sentry™ ACLY VALVE KIT



**DESCRIPTION**

The Bell & Gossett ACLY Valve Kit is a packaged and partially pre-assembled collection of common components required for commissioning a terminal unit. Temperature control valves, piping and coils are not supplied by B&G.

The ACLY Kit consists of:

Balloon	Part Number	Inlet Connection	Outlet Connection	Description
A				<b>Model UBYL</b> - Combination Wye Strainer and Shut Off Valve for Low Flow Applications with one Pressure / Temperature Port, Drain Valve, Tailpiece and Union End.
B				Connection Size for Coil/Terminal
C				<b>Model ACL</b> - Circuit Sentry™ - Automatic Flow Limiting, Commissioning and Shut-off Valve for Low Flow Applications with Adjustable Diaphragm Flow Cartridge, one Pressure / Temperature Port, Tailpiece, and Union End.