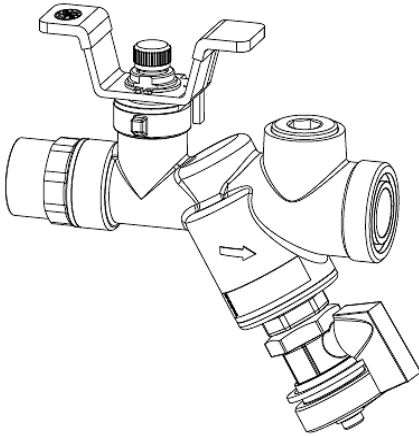


JOB:	REPRESENTATIVE:
UNIT TAG:	ORDER NO.
ENGINEER:	SUBMITTED BY:
CONTRACTOR:	APPROVED BY:
	DATE:
	DATE:
	DATE:



Model UBYL

Combination Ball Valve and Strainer for Low Flow Applications

DESCRIPTION

The Bell & Gossett Model UBYL Low Flow Y-Strainer is a combination ball valve and y-strainer for low flow applications in HVAC systems. Valves are furnished with a 30 mesh stainless steel screen, hose end drain valve for purging, one pressure/temperature port, and one plugged bypass port. Part numbered valves come standard with SWTF union tailpiece and configured valves comes with choice of SWTF, NPTF, or NPTM union tailpiece.

CONSTRUCTION

Body: Brass C37700
 Ball: Chrome Plated Brass C38500
 O-rings: EPDM
 Strainers: 30 Mesh Type 321 Stainless Steel
 Handle: Chrome Plated Steel w/ Black Vinyl

MAXIMUM WORKING PRESSURE

400 PSI (2758 KPa)

TEMPERATURE RANGE

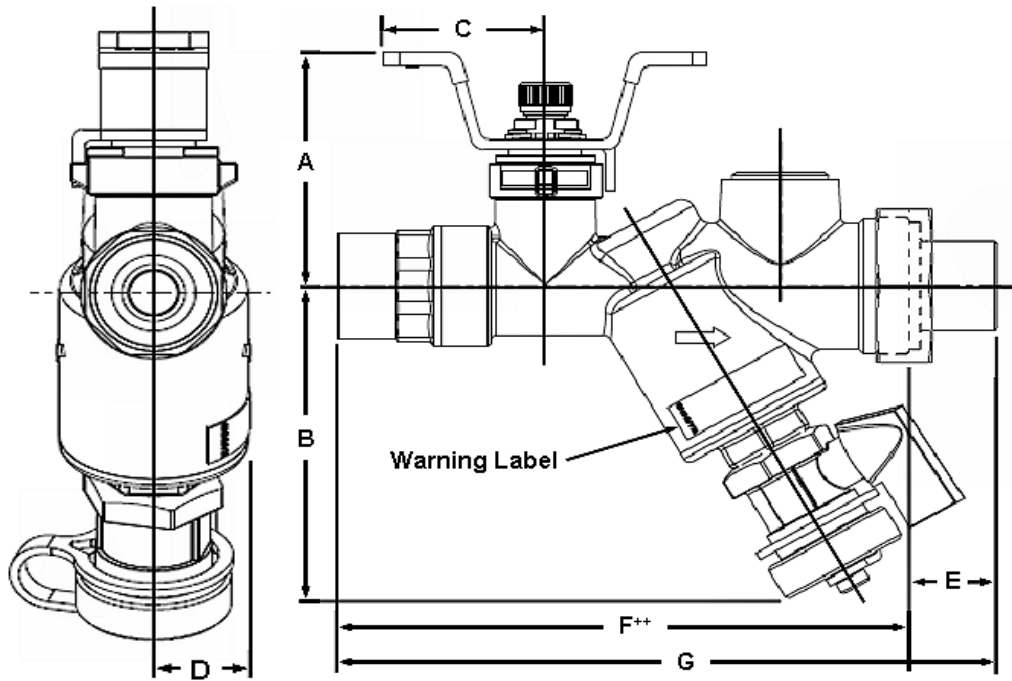
250°F (121°C)

SCHEDULE
PART NUMBERED VALVES

Part Number	TAGGING INFORMATION	QUANTITY
117440		
117441		
117442		

SCHEDULE

VALVE FIXED END	TAGGING INFORMATION	QUANTITY
1/2" SWTF		
1/2" SWTM		
3/4" SWTF		
3/4" NPTF		



**DIMENSIONS AND WEIGHTS
PART NUMBERED VALVES**

++Indicates dimensions w/o tailpiece

Valve Fixed End	Valve Union End	DIMENSIONS* IN INCHES (mm)							Approx. Wt. lbs.(kg)
		A	B	C	D	E	F**	G	
1/2" SWTF	1/2" SWTF	2.2 (55)	2.9 (73)	1.4 (36)	0.7 (18)	0.6 (15)	5.2 (132)	5.8 (147)	1.55 (0.70)
3/4" SWTM	1/2" SWTF	2.2 (55)	2.9 (73)	1.4 (36)	0.7 (18)	0.6 (15)	5.2 (132)	5.8 (147)	1.55 (0.70)
3/4" SWTF	3/4" SWTF	2.2 (55)	2.9 (73)	1.4 (36)	0.7 (18)	0.8 (20)	4.9 (125)	5.7 (145)	1.55 (0.70)
3/4" NTPF	3/4" SWTF	2.2 (55)	2.9 (73)	1.4 (36)	0.7 (18)	0.8 (20)	5.0 (127)	5.8 (147)	1.55 (0.70)

CONFIGURED VALVES

Valve Fixed End	Connection Fixed End	DIMENSIONS* IN INCHES (mm)							Approx. Wt. lbs.(kg)
		A	B	C	D	E(Max)	F**	G	
1/2"	Sweat Female	2.2 (55)	2.9 (73)	1.4 (36)	0.7 (18)	1.6 (40)	5.2 (132)	6.8 (172)	1.70 (0.77)
3/4"	Sweat Male	2.2 (55)	2.9 (73)	1.4 (36)	0.7 (18)	1.6 (40)	5.2 (132)	6.8 (172)	1.70 (0.77)
3/4"	Sweat Female	2.2 (55)	2.9 (73)	1.4 (36)	0.7 (18)	1.6 (40)	4.9 (125)	6.5 (165)	1.70 (0.77)
3/4"	NPT Female	2.2 (55)	2.9 (73)	1.4 (36)	0.7 (18)	1.6 (40)	5.0 (127)	6.6 (167)	1.70 (0.77)

*All dimensions +/-0.125" (3.2 mm) tolerance. Dimensions are subjected to change. Not to be used for construction purpose unless certified.

Note: This product is not intended for use in potable water applications.